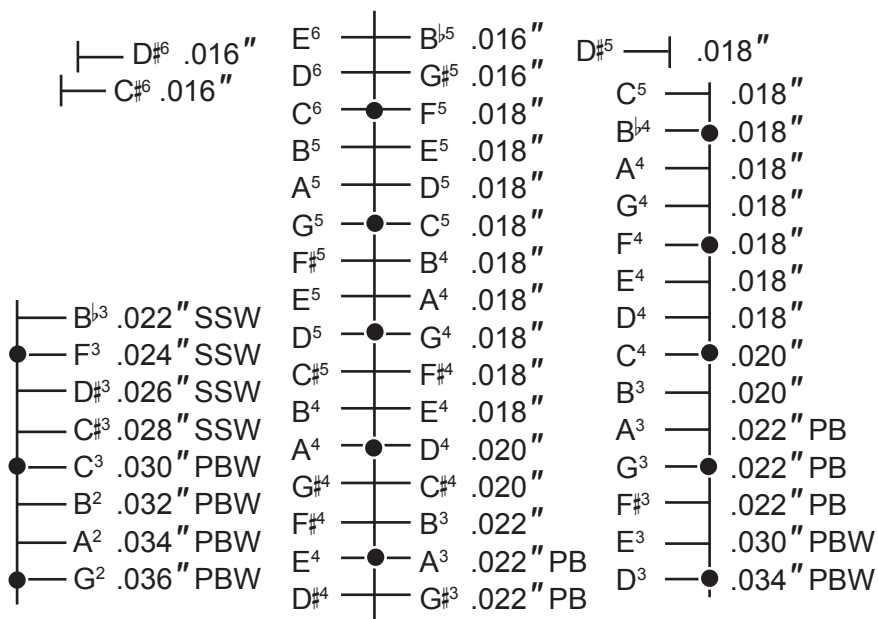


# Dusty Strings

Makers of Harps and Hammered Dulcimers

3450 16th Ave. W., Seattle, WA 98119 • 206-634-1656 • Toll Free 866-634-1656 • Fax 206-691-3712 • www.dustystings.com

## D550 Stringing Diagram *for instruments after serial #13168*



All strings are loop end. Wire gauges are shown in inches.

PB indicates phosphor bronze wire.

PBW indicates phosphor bronze wound.

SSW indicates stainless steel wound.

Unspecified strings are plain steel.

Dots indicate marked courses.

Superscript numbers indicate octave. C4 is middle C.